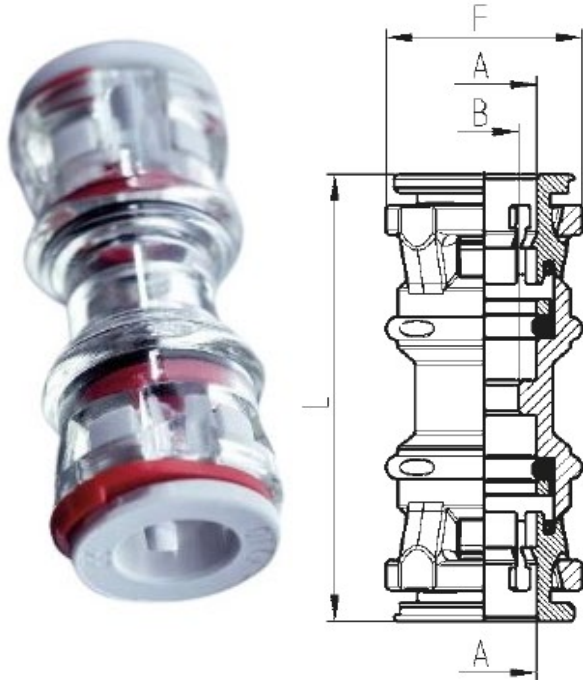


# Microduct Connector Straight Clear



## Direct bury straight connector

Robust construction includes IP68 water ingress protection and resistance to high-pressure forces, allowing them to be used in direct buried (DB) applications. The transparent body enables easy visual inspection of the cable within the connector.

## FEATURES & BENEFITS

- For standard and DB buried application
- Compact size
- Full plastic design (metal free)
- Push fit
- No tools needed
- Transparent body allows verification of the position of microduct and fibre
- Maximum installation: 30 bar
- Working temperature: 20°C/+50°C
- Fluid: compressed air with blowing system
- Microduct to connect: polyethene system
- According to standards: CEI EN 50411-2-8
- Protection class: IP68

## APPLICATION

- For standard and DB buried application

## DIMENSIONS

Mod.	A	B	F	L	Weight (g)	Package (pieces)
CV4581 5/2,1	5	2.1	12.5	39	4	100
CV4581 7/3,5	7	3.5	16.5	41.5	6.5	100
CV4581 7/4	7	4	16.5	41.5	6.5	100
CV4581 8/4	8	4	17.5	43	7.5	100
CV4581 8/4,5	8	4.5	17.5	43	7.5	100
CV4581 8/5	8	5	17.5	43	7.5	100
CV4581 10/5,5	10	5.5	20.5	48	10	100
CV4581 10/6	10	6	20.5	48	10	100
CV4581 10/7	10	7	20.5	48	10	100
CV4581 12/8	12	8	23	52	12	100
CV4581 14/10	14	10	25.5	59	16	100
CV4581 16/10	16	10	30	66	26	50
CV4581 16/12	16	12	30	66	26	50
CV4581 18/12	18	12	33.5	77	37	50
CV4581 18/14	18	14	33.5	77	37	50
CV4581 20/15	20	15	37.5	81.5	45	50
CV4581 20/16	20	16	37.5	81.5	45	50